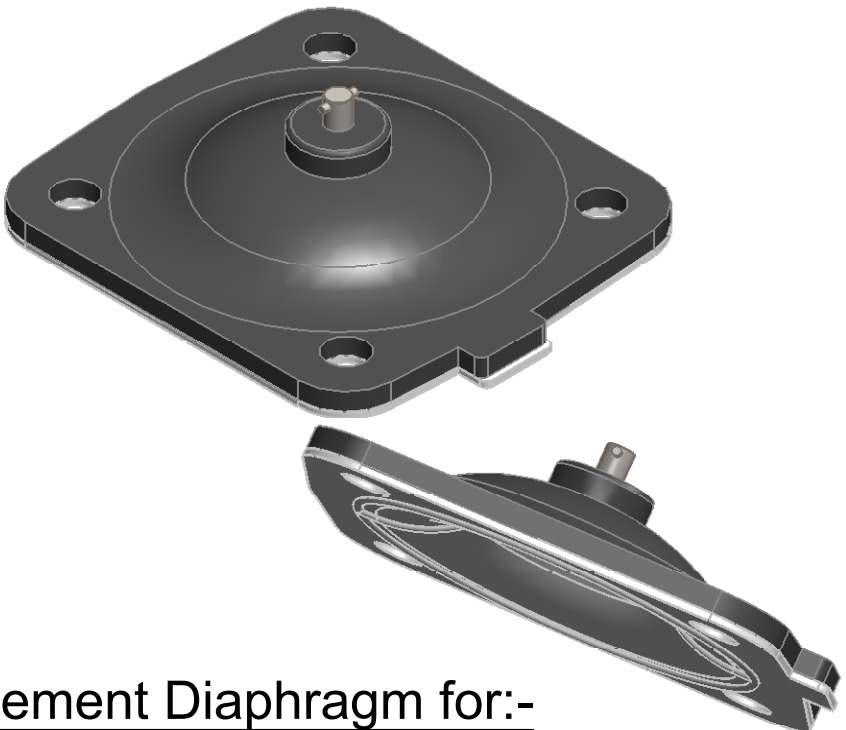
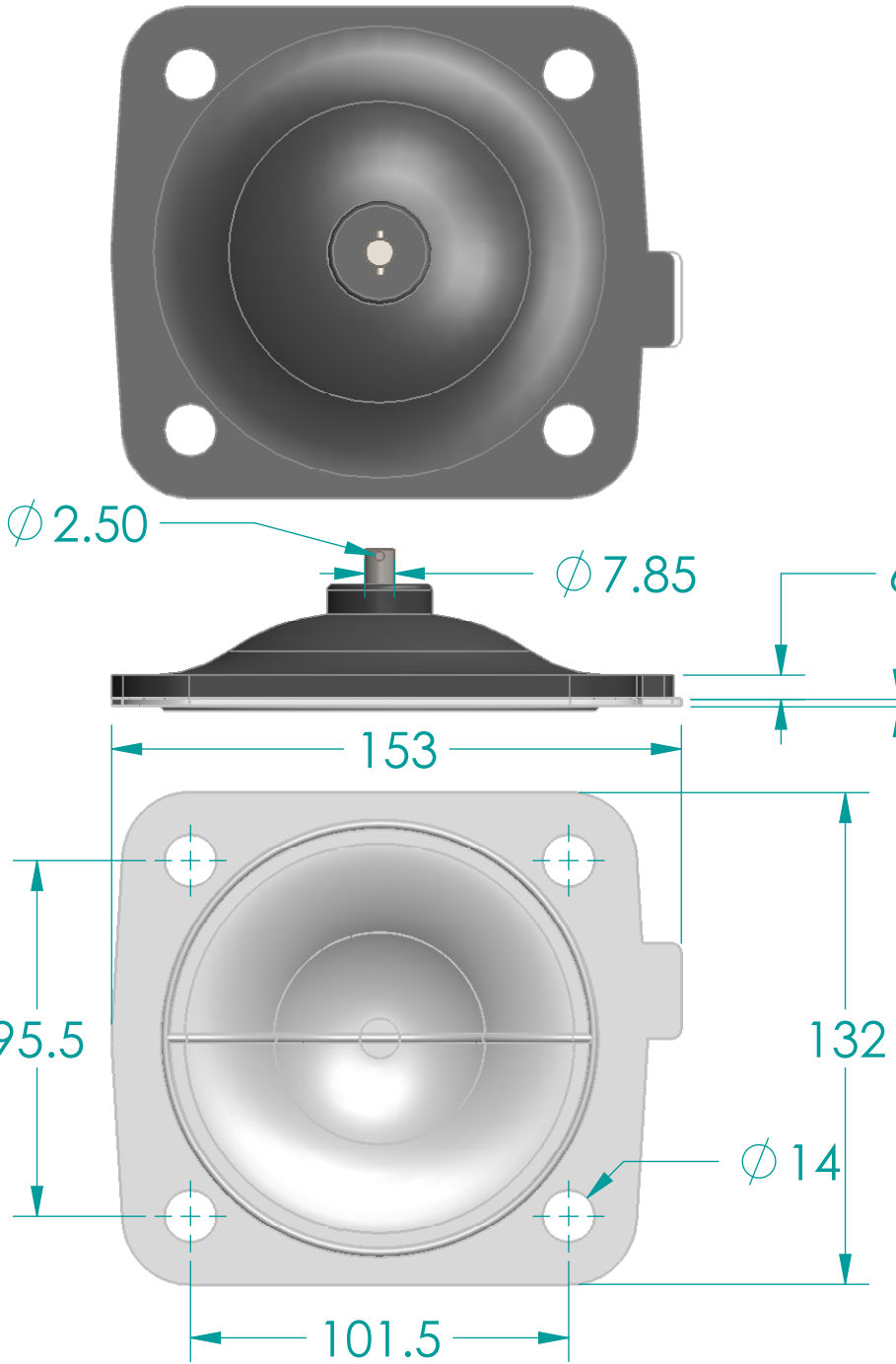



Revision History

Rev	Description	Date	Approved
A	NEW OEM Part No. A-065EX-2.5"	09/03/22	JB



Replacement Diaphragm for:-
OEM PART = A-065EX-2.5"
USED ON 2.5" (DN65) Diaphragm Valve

	Name	Date	 DIAPHRAGM DIRECT
Drawn	M.Mc Keon	09/03/22	
Checked			TITLE DD25-STFM-X
Material - SILICONE BACKING TFM-DIAPHRAGM Complies with CFR 177.2600 and Conforms to USP Class VI Biological Reactivity Tests Section #87 and #88			Size A FOOT PRINT DIMENSIONS Rev A
File Name-			DD25-STFM-X RevA
SCALE: 1:2	Job: 42	Sheet 1 of 1	

Disclaimer - Diaphragm Direct® does not manufacture, represent, nor sell OEM valves or diaphragms manufactured by any other company. Diaphragm Direct® brand diaphragms are not sponsored by any other manufacturers. Any name, model, part number, brand, image, material or referral is for descriptive purposes only. Diaphragm Direct® brand replacement diaphragms are guaranteed to fit OEM equipment and meet or exceed OEM specifications. Diaphragm Direct® brand replacement diaphragms are covered by the standard Diaphragm Direct® limited product warranty.